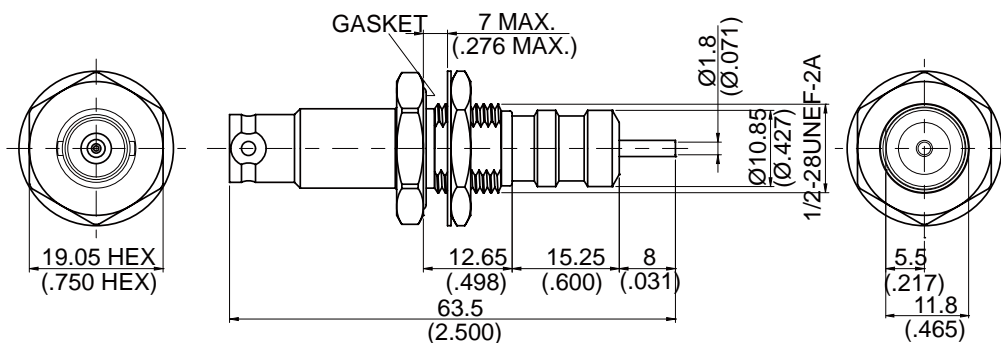
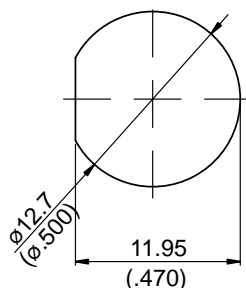


10KV-8501-0000

**10KV Jack Bulkhead, Hermetic  $1 \times 10^{-6}$  cc/sec of helium at 1atm, With Round Contact ( $\Phi 1.8$ ; L=8.15)**



MOUNTING HOLE:



Hermeticity of  $1 \times 10^{-6}$  cc/sec of helium at 1atm

Parts	Material	Plating (Micro-inch)
Gasket	Silicon	
Hex Nut	Brass	Tin-Zinc-Copper-Alloy 100 Over Copper 50
Lock Washer	Brass	Tin-Zinc-Copper-Alloy 100 Over Copper 50
Insulator	High Density Polyethylene	
Contact Pin	Beryllium Copper	Gold 4 Over Nickel-Phosphorus Alloy 80 Over Copper 20
Body	Brass	Tin-Zinc-Copper-Alloy 100 Over Copper 50

Weight: 29 g

This part number complies with RoHS.

**Notice:** JYEBAO reserves the right to make modifications deemed appropriate.

10KV	10KV-8501-0000
<b>Interface</b>	
Mechanically compatible with	Kings 10KV series
<b>Electrical Data</b>	
Impedance	non constant
Insulation resistance	1000GΩ
Contact resistance inner conductor	≤3mΩ
Contact resistance outer conductor	≤2mΩ
Test voltage (at sea level)	15KVDC
Working Voltage (at sea level)	10KVDC
<b>Environmental Data</b>	
Temperature range	-55°C to +85°C
Corrosion	MIL-STD-202, Method 101, Condition B
RoHS	Compliant
<b>Tooling</b>	

Notice: JYEBAO reserves the right to make modifications deemed appropriate.