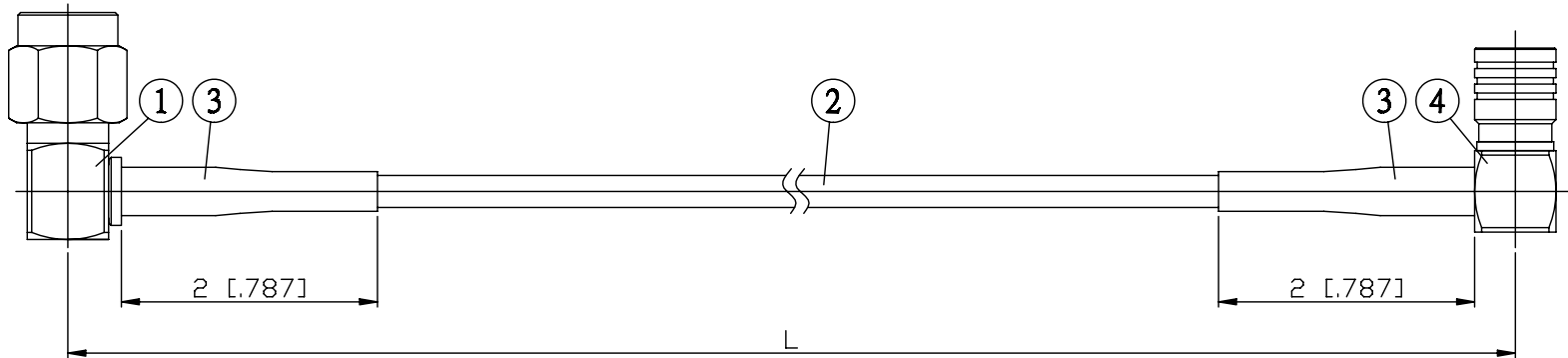


NO.	COMPONENTS	IMPEDANCE
1	SMA MALE RIGHT ANGLE	50 OHM
2	RG316	50 OHM
3	HEAT SHRINKING TUBE	
4	SMB MALE RIGHT ANGLE	50 OHM

SMA MALE  
RIGHT ANGLE

SMB MALE  
RIGHT ANGLE



JYE BAO P/N	L CM (INCH)
A39S39-316-15	15 (5.906)
A39S39-316-30	30 (11.811)
A39S39-316-50	50 (19.685)
A39S39-316-100	100 (39.370)
A39S39-316-150	150 (59.055)
A39S39-316-200	200 (78.740)
A39S39-316-XXX	CUSTOM LENGTH IN CM

<p>LENGTH TOLERANCE IS <math>\pm 1.5\%</math> OR <math>\pm 10\text{MM}</math>, WHICHEVER IS GREATER.</p>	<p><b>JYE BAO CO., LTD.</b> TAIPEI TAIWAN</p>
	<p>DESCRIPTION CABLE ASSEMBLY SMA PLUG R/A TO SMB PLUG R/A</p>
	<p>JYE BAO DRAWING NO. A39S39-316-XXX</p>