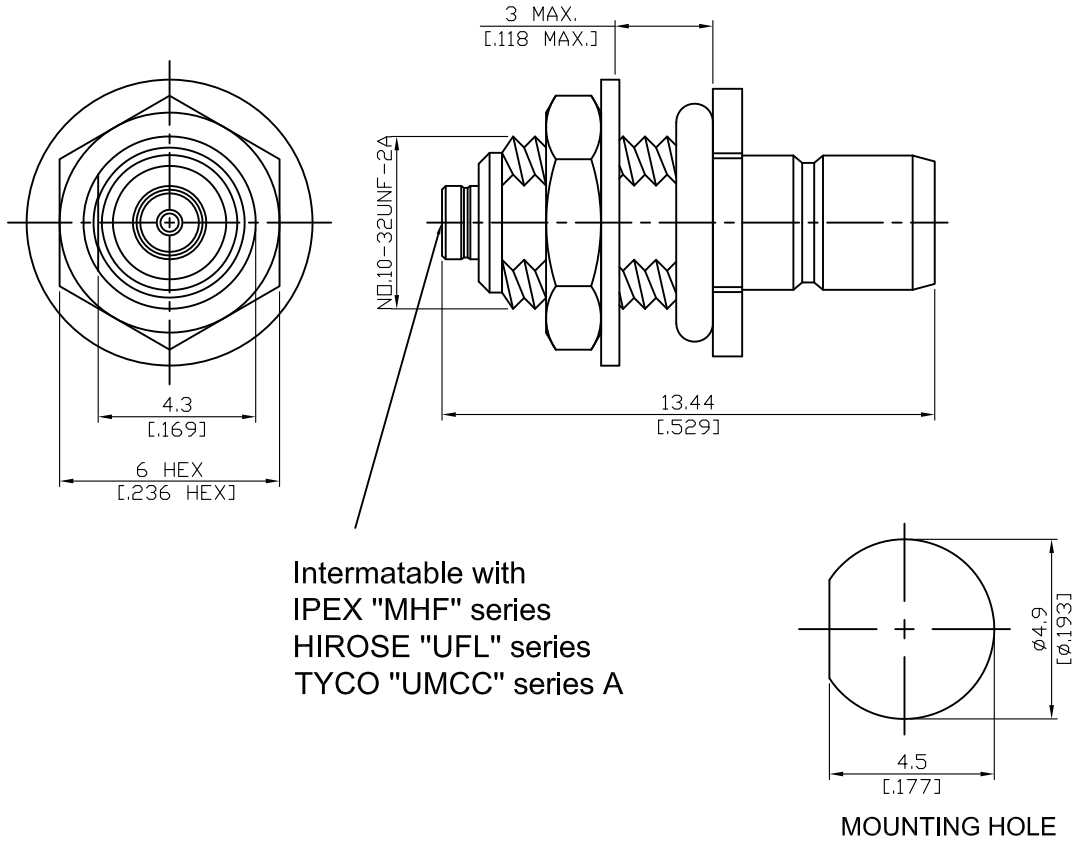


AD-UFLS8-BF/HS

Hermetic  $1 \times 10^{-6}$  cc/sec helium at 1atm  
IPEX MHF Jack To SMB Jack Bulkhead , 4GHz VSWR1.2

50Ω



Parts	Material	Plating ( Micro-inch )
Hex Nut	Brass	Gold 4 Over Nickel-Phosphorus Alloy 80 Over Copper 20
Lock Washer	Brass	Gold 4 Over Nickel-Phosphorus Alloy 80 Over Copper 20
Gasket	Silicone	
Contact Pin	Brass	Gold 4 Over Nickel-Phosphorus Alloy 80 Over Copper 20
Insulator	Teflon	
Body	Brass	Gold 4 Over Nickel-Phosphorus Alloy 80 Over Copper 20

This part number complies with RoHS.

Notice: JYEBAO reserves the right to make modifications deemed appropriate.

AD-UFLS8-BF/HS	Hermetic $1 \times 10^{-6}$ cc/sec helium at 1atm IPEX MHF Jack To SMB Jack Bulkhead , 4GHz VSWR1.2											
<div style="border: 1px solid black; padding: 2px;">Interface</div> <p>Standard Mechanically Compatible With</p>	<table border="1"> <thead> <tr> <th data-bbox="780 344 1123 394">SMB</th> <th data-bbox="1123 344 1482 394">IPEX MHF</th> </tr> </thead> <tbody> <tr> <td data-bbox="780 394 1123 443">MIL-STD-348B</td> <td data-bbox="1123 394 1482 443"></td> </tr> <tr> <td data-bbox="780 443 1123 539">SMS</td> <td data-bbox="1123 443 1482 539">IPEX MHF; Hirose UFL TYCO UMCC</td> </tr> </tbody> </table>	SMB	IPEX MHF	MIL-STD-348B		SMS	IPEX MHF; Hirose UFL TYCO UMCC					
SMB	IPEX MHF											
MIL-STD-348B												
SMS	IPEX MHF; Hirose UFL TYCO UMCC											
<div style="border: 1px solid black; padding: 2px;">Electrical Data</div> <p>Impedance Frequency Range VSWR Insertion Loss</p>	<p>50Ω DC To 4GHz <math>\leq 1.2</math> (DC To 4GHz) <math>\leq 0.06 \times \sqrt{f(\text{GHz})}</math> dB</p>											
<div style="border: 1px solid black; padding: 2px;">Mechanical Data</div> <p>Engagement Force Disengagement Force Contact Captivation-axial Durability (mating)</p>	<table border="1"> <thead> <tr> <th data-bbox="780 1077 1123 1126">SMB</th> <th data-bbox="1123 1077 1482 1126">MHF/UFL/UMCC</th> </tr> </thead> <tbody> <tr> <td data-bbox="780 1126 1123 1176">1.8 to 14.2 lbs</td> <td data-bbox="1123 1126 1482 1176">NA</td> </tr> <tr> <td data-bbox="780 1176 1123 1225">1.8 to 14.2 lbs</td> <td data-bbox="1123 1176 1482 1225">NA</td> </tr> <tr> <td data-bbox="780 1225 1123 1274"><math>\geq 4</math> lbs</td> <td data-bbox="1123 1225 1482 1274">NA</td> </tr> <tr> <td data-bbox="780 1274 1123 1323"><math>\geq 500</math></td> <td data-bbox="1123 1274 1482 1323"><math>\geq 30</math></td> </tr> </tbody> </table>	SMB	MHF/UFL/UMCC	1.8 to 14.2 lbs	NA	1.8 to 14.2 lbs	NA	$\geq 4$ lbs	NA	$\geq 500$	$\geq 30$	
SMB	MHF/UFL/UMCC											
1.8 to 14.2 lbs	NA											
1.8 to 14.2 lbs	NA											
$\geq 4$ lbs	NA											
$\geq 500$	$\geq 30$											
<div style="border: 1px solid black; padding: 2px;">Environmental Data</div> <p>Temperature Range RoHS</p>	<p>-40°C to +90°C Compliant</p>											

Notice: JYEBAO reserves the right to make modifications deemed appropriate.