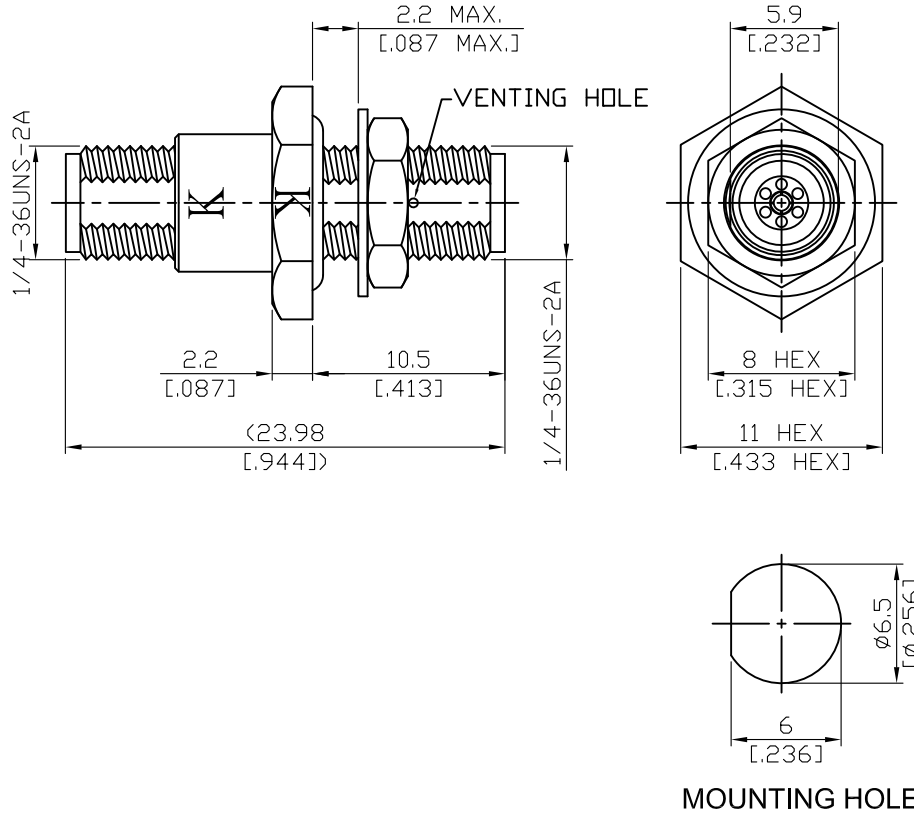


ADS-K8K8-BF-1.25/VH	2.92mm Jack To 2.92mm Jack Bulkhead With Venting Hole, 40GHz VSWR 1.25	50Ω
---------------------	---	-----



Parts	Material	Plating ( Micro-inch )
Gasket	Silicone	
Hex Nut	Stainless Steel	Passivated
Lock Washer	Stainless Steel	Passivated
Insulator	PEI	
Contact Pin	Beryllium Copper	Gold 4 Over Nickel-Phosphorus Alloy 80 Over Copper 20
Body	Stainless Steel	Passivated

This part number complies with RoHS.

Notice: JYEBAO reserves the right to make modifications deemed appropriate.

ADS-K8K8-BF-1.25/VH	2.92mm Jack To 2.92mm Jack Bulkhead With Venting Hole, 40GHz VSWR 1.25																		
<table border="0"> <tr> <td colspan="2" data-bbox="129 342 531 394"><b>Interface</b></td> </tr> <tr> <td data-bbox="129 400 794 483">Standard Mechanically compatible with</td> <td data-bbox="794 400 1479 483">MIL-STD-348B 3.5 &amp; SMA</td> </tr> </table>		<b>Interface</b>		Standard Mechanically compatible with	MIL-STD-348B 3.5 & SMA														
<b>Interface</b>																			
Standard Mechanically compatible with	MIL-STD-348B 3.5 & SMA																		
<table border="0"> <tr> <td colspan="2" data-bbox="129 604 531 656"><b>Electrical Data</b></td> </tr> <tr> <td data-bbox="129 663 794 696">Impedance</td> <td data-bbox="794 663 1479 696">50Ω</td> </tr> <tr> <td data-bbox="129 707 794 741">Frequency Range</td> <td data-bbox="794 707 1479 741">DC to 40GHz</td> </tr> <tr> <td data-bbox="129 752 794 786">VSWR</td> <td data-bbox="794 752 1479 786">≤ 1.25 (DC To 40GHz)</td> </tr> <tr> <td data-bbox="129 797 794 831">Insertion Loss</td> <td data-bbox="794 797 1479 831">≤ 0.04 x √f(GHz) dB</td> </tr> <tr> <td data-bbox="129 842 794 875">Insulation Resistance</td> <td data-bbox="794 842 1479 875">≥ 5000MΩ</td> </tr> <tr> <td data-bbox="129 887 794 920">Dielectric Withstanding Voltage (at sea level)</td> <td data-bbox="794 887 1479 920">750 V rms</td> </tr> <tr> <td data-bbox="129 931 794 965">Working Voltage (at sea level)</td> <td data-bbox="794 931 1479 965">250 V rms</td> </tr> <tr> <td data-bbox="129 976 794 1010">RF Leakage</td> <td data-bbox="794 976 1479 1010">≥ 100dB to 1GHz</td> </tr> </table>		<b>Electrical Data</b>		Impedance	50Ω	Frequency Range	DC to 40GHz	VSWR	≤ 1.25 (DC To 40GHz)	Insertion Loss	≤ 0.04 x √f(GHz) dB	Insulation Resistance	≥ 5000MΩ	Dielectric Withstanding Voltage (at sea level)	750 V rms	Working Voltage (at sea level)	250 V rms	RF Leakage	≥ 100dB to 1GHz
<b>Electrical Data</b>																			
Impedance	50Ω																		
Frequency Range	DC to 40GHz																		
VSWR	≤ 1.25 (DC To 40GHz)																		
Insertion Loss	≤ 0.04 x √f(GHz) dB																		
Insulation Resistance	≥ 5000MΩ																		
Dielectric Withstanding Voltage (at sea level)	750 V rms																		
Working Voltage (at sea level)	250 V rms																		
RF Leakage	≥ 100dB to 1GHz																		
<table border="0"> <tr> <td colspan="2" data-bbox="129 1153 531 1205"><b>Mechanical Data</b></td> </tr> <tr> <td data-bbox="129 1211 794 1245">Recommended Coupling Nut Torque</td> <td data-bbox="794 1211 1479 1245">11.47 in-lbs</td> </tr> <tr> <td data-bbox="129 1256 794 1290">Coupling Proof Torque</td> <td data-bbox="794 1256 1479 1290">15 in-lbs</td> </tr> <tr> <td data-bbox="129 1301 794 1335">Contact Captivation-axial</td> <td data-bbox="794 1301 1479 1335">≥ 4.9 lbs</td> </tr> <tr> <td data-bbox="129 1346 794 1379">Durability (mating)</td> <td data-bbox="794 1346 1479 1379">≥ 500</td> </tr> </table>		<b>Mechanical Data</b>		Recommended Coupling Nut Torque	11.47 in-lbs	Coupling Proof Torque	15 in-lbs	Contact Captivation-axial	≥ 4.9 lbs	Durability (mating)	≥ 500								
<b>Mechanical Data</b>																			
Recommended Coupling Nut Torque	11.47 in-lbs																		
Coupling Proof Torque	15 in-lbs																		
Contact Captivation-axial	≥ 4.9 lbs																		
Durability (mating)	≥ 500																		
<table border="0"> <tr> <td colspan="2" data-bbox="129 1505 531 1556"><b>Environmental Data</b></td> </tr> <tr> <td data-bbox="129 1563 794 1597">Temperature Range</td> <td data-bbox="794 1563 1479 1597">-40°C to +165°C</td> </tr> <tr> <td data-bbox="129 1608 794 1641">Thermal Shock</td> <td data-bbox="794 1608 1479 1641">MIL-STD-202, Method 107, Condition B</td> </tr> <tr> <td data-bbox="129 1653 794 1686">Moisture Resistance</td> <td data-bbox="794 1653 1479 1686">MIL-STD-202, Method 206</td> </tr> <tr> <td data-bbox="129 1697 794 1731">Corrosion</td> <td data-bbox="794 1697 1479 1731">MIL-STD-202, Method 101, Condition B</td> </tr> <tr> <td data-bbox="129 1742 794 1776">RoHS</td> <td data-bbox="794 1742 1479 1776">Compliant</td> </tr> </table>		<b>Environmental Data</b>		Temperature Range	-40°C to +165°C	Thermal Shock	MIL-STD-202, Method 107, Condition B	Moisture Resistance	MIL-STD-202, Method 206	Corrosion	MIL-STD-202, Method 101, Condition B	RoHS	Compliant						
<b>Environmental Data</b>																			
Temperature Range	-40°C to +165°C																		
Thermal Shock	MIL-STD-202, Method 107, Condition B																		
Moisture Resistance	MIL-STD-202, Method 206																		
Corrosion	MIL-STD-202, Method 101, Condition B																		
RoHS	Compliant																		

# ADS-K8K8-BF-1.25/VH

