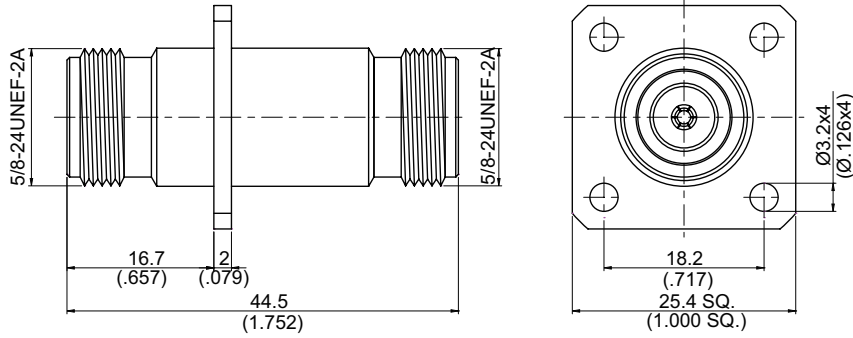
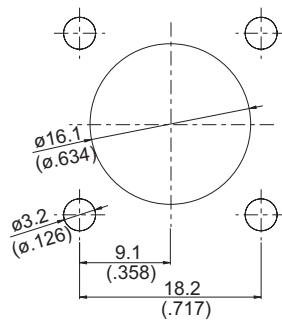


ADS-N8N8-P4

Stainless N Jack To N Jack With 4-Hole Flange 50Ω
11GHz VSWR 1.2



MOUNTING HOLE



Parts	Material	Plating (Micro-inch)
Contact Pin	Beryllium Copper	Gold 4 Over Nickel-Phosphorus Alloy 80 Over Copper 20
Insulator	Teflon	
Body	Stainless Steel	Passivated

Weight:

This part number complies with RoHS.

Notice: JYBAO reserves the right to make modifications deemed appropriate.

ADS-N8N8-P4	Stainless N Jack To N Jack With 4-Hole Flange 11GHz VSWR 1.2																
<table border="0" style="width: 100%;"> <tr> <td colspan="2" data-bbox="129 342 531 394">Interface</td> </tr> <tr> <td data-bbox="129 394 791 533">Standard</td> <td data-bbox="791 394 1482 533" style="text-align: center;">MIL-STD-348B</td> </tr> </table>		Interface		Standard	MIL-STD-348B												
Interface																	
Standard	MIL-STD-348B																
<table border="0" style="width: 100%;"> <tr> <td colspan="2" data-bbox="129 560 531 611">Electrical Data</td> </tr> <tr> <td data-bbox="129 611 791 656">Impedance</td> <td data-bbox="791 611 1482 656" style="text-align: center;">50Ω</td> </tr> <tr> <td data-bbox="129 656 791 701">Frequency Range</td> <td data-bbox="791 656 1482 701" style="text-align: center;">DC to 11GHz</td> </tr> <tr> <td data-bbox="129 701 791 745">VSWR</td> <td data-bbox="791 701 1482 745" style="text-align: center;">≤ 1.2 (DC To 11GHz)</td> </tr> <tr> <td data-bbox="129 745 791 790">Insertion Loss</td> <td data-bbox="791 745 1482 790" style="text-align: center;">≤ 0.05 x √f(GHz) dB</td> </tr> <tr> <td data-bbox="129 790 791 835">Insulation Resistance</td> <td data-bbox="791 790 1482 835" style="text-align: center;">≥ 5000MΩ</td> </tr> <tr> <td data-bbox="129 835 791 880">Dielectric Withstanding Voltage (at sea level)</td> <td data-bbox="791 835 1482 880" style="text-align: center;">2500 V rms</td> </tr> <tr> <td data-bbox="129 880 791 925">Working Voltage (at sea level)</td> <td data-bbox="791 880 1482 925" style="text-align: center;">1000 V rms</td> </tr> </table>		Electrical Data		Impedance	50Ω	Frequency Range	DC to 11GHz	VSWR	≤ 1.2 (DC To 11GHz)	Insertion Loss	≤ 0.05 x √f(GHz) dB	Insulation Resistance	≥ 5000MΩ	Dielectric Withstanding Voltage (at sea level)	2500 V rms	Working Voltage (at sea level)	1000 V rms
Electrical Data																	
Impedance	50Ω																
Frequency Range	DC to 11GHz																
VSWR	≤ 1.2 (DC To 11GHz)																
Insertion Loss	≤ 0.05 x √f(GHz) dB																
Insulation Resistance	≥ 5000MΩ																
Dielectric Withstanding Voltage (at sea level)	2500 V rms																
Working Voltage (at sea level)	1000 V rms																
<table border="0" style="width: 100%;"> <tr> <td colspan="2" data-bbox="129 1057 531 1108">Mechanical Data</td> </tr> <tr> <td data-bbox="129 1108 791 1153">Recommended Coupling Nut Torque</td> <td data-bbox="791 1108 1482 1153" style="text-align: center;">6 to 10 in-lbs</td> </tr> <tr> <td data-bbox="129 1153 791 1198">Coupling Proof Torque</td> <td data-bbox="791 1153 1482 1198" style="text-align: center;">15 in-lbs</td> </tr> <tr> <td data-bbox="129 1198 791 1243">Contact Captivation-axial</td> <td data-bbox="791 1198 1482 1243" style="text-align: center;">≥ 6.3 lbs</td> </tr> <tr> <td data-bbox="129 1243 791 1288">Durability (mating)</td> <td data-bbox="791 1243 1482 1288" style="text-align: center;">≥ 500</td> </tr> </table>		Mechanical Data		Recommended Coupling Nut Torque	6 to 10 in-lbs	Coupling Proof Torque	15 in-lbs	Contact Captivation-axial	≥ 6.3 lbs	Durability (mating)	≥ 500						
Mechanical Data																	
Recommended Coupling Nut Torque	6 to 10 in-lbs																
Coupling Proof Torque	15 in-lbs																
Contact Captivation-axial	≥ 6.3 lbs																
Durability (mating)	≥ 500																
<table border="0" style="width: 100%;"> <tr> <td colspan="2" data-bbox="129 1456 531 1507">Environmental Data</td> </tr> <tr> <td data-bbox="129 1507 791 1552">Temperature Range</td> <td data-bbox="791 1507 1482 1552" style="text-align: center;">-65°C to +165°C</td> </tr> <tr> <td data-bbox="129 1552 791 1597">Thermal Shock</td> <td data-bbox="791 1552 1482 1597" style="text-align: center;">MIL-STD-202, Method 107, Condition B</td> </tr> <tr> <td data-bbox="129 1597 791 1641">Moisture Resistance</td> <td data-bbox="791 1597 1482 1641" style="text-align: center;">MIL-STD-202, Method 206</td> </tr> <tr> <td data-bbox="129 1641 791 1686">Corrosion</td> <td data-bbox="791 1641 1482 1686" style="text-align: center;">MIL-STD-202, Method 101, Condition B</td> </tr> <tr> <td data-bbox="129 1686 791 1731">RoHS</td> <td data-bbox="791 1686 1482 1731" style="text-align: center;">Compliant</td> </tr> </table>		Environmental Data		Temperature Range	-65°C to +165°C	Thermal Shock	MIL-STD-202, Method 107, Condition B	Moisture Resistance	MIL-STD-202, Method 206	Corrosion	MIL-STD-202, Method 101, Condition B	RoHS	Compliant				
Environmental Data																	
Temperature Range	-65°C to +165°C																
Thermal Shock	MIL-STD-202, Method 107, Condition B																
Moisture Resistance	MIL-STD-202, Method 206																
Corrosion	MIL-STD-202, Method 101, Condition B																
RoHS	Compliant																

Notice: JYEBAO reserves the right to make modifications deemed appropriate.

ADS-N3N8-P4

