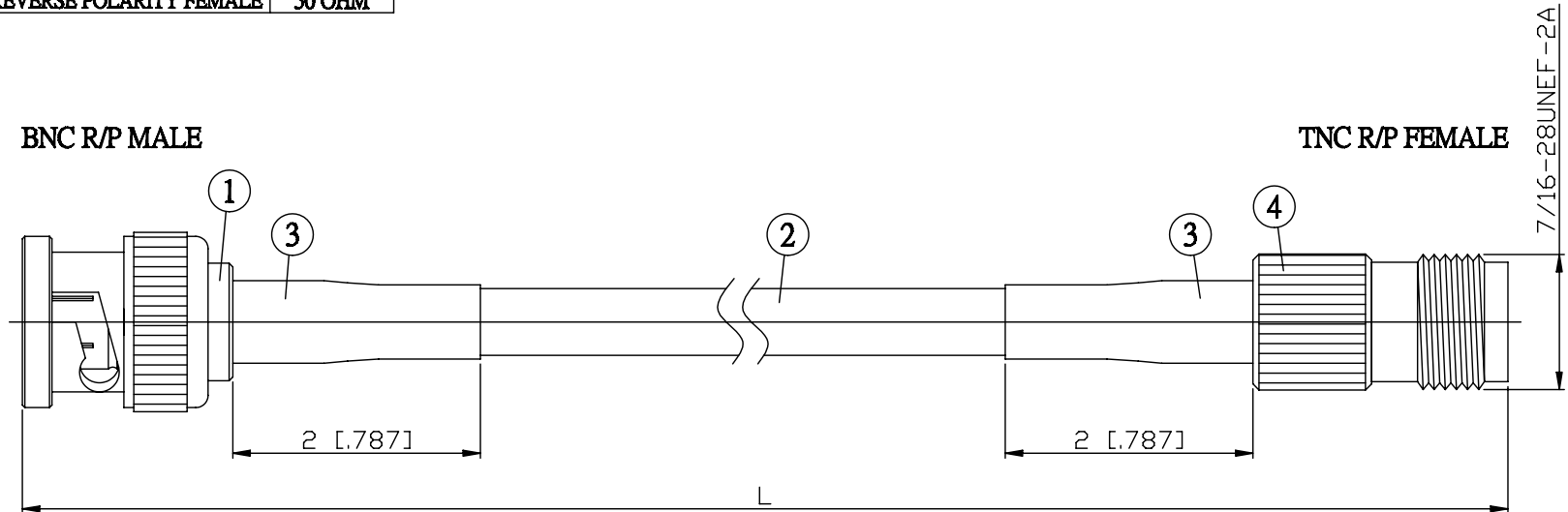


| NO. | COMPONENTS                  | IMPEDANCE |
|-----|-----------------------------|-----------|
| 1   | BNC REVERSE POLARITY MALE   | 50 OHM    |
| 2   | RG223                       | 50 OHM    |
| 3   | HEAT SHRINKING TUBE         |           |
| 4   | TNC REVERSE POLARITY FEMALE | 50 OHM    |



| JYE BAO P/N    | L<br>CM (INCH)         |
|----------------|------------------------|
| B60T90-223-15  | 15 (5.906)             |
| B60T90-223-30  | 30 (11.811)            |
| B60T90-223-50  | 50 (19.685)            |
| B60T90-223-100 | 100 (39.370)           |
| B60T90-223-150 | 150 (59.055)           |
| B60T90-223-200 | 200 (78.740)           |
| B60T90-223-XXX | CUSTOM<br>LENGTH IN CM |

|   |  |
|---|--|
| LENGTH TOLERANCE<br>IS $\pm 1.5\%$ OR $\pm 10\text{MM}$ ,<br>WHICHEVER IS<br>GREATER. | <b>JYE BAO CO., LTD.</b><br>TAIPEI TAIWAN                  |
|   | DESCRIPTION<br>CABLE ASSEMBLY BNC R/P PLUG TO TNC R/P JACK |
|   | JYE BAO DRAWING NO.<br>B60T90-223-XXX                      |